



Item No. _____

Project _____

Quantity _____

E.B.C Lo-Profile Airpot / Thermal Server Coffee Brewer (with Hot Water Faucet)

Model: 1883



MODEL 1883

APPLICATION

The new E.B.C. LP is a versatile Lo-Profile® brewer that, at less than 18" tall, is small in stature but big on capacity. Easily fitting under standard cabinets, it can brew into a 2.2 liter airpot or 2.5 liter thermal server (no taller than 12" when open). This E.B.C. system uses the standard Electronic Brew Control technology, with a touch keypad and lights, plus an audible signal. The lights and signal guide the user through the different brewer operations.

FEATURES

- Lo-profile coffee brewer is less than 18" tall, easily fitting under any standard cabinet.
- Brews into a standard size airpot (no taller than 12" when open) or thermal server that is easily transportable to remote serving areas. Coffee will remain preserved for optimal temperature and taste.

- Precise brewing temperature is established and maintained throughout the brew cycle, providing cold brew lockout and ensuring full flavored coffee and faster brew recovery.
- Countdown Quality Timer™ will signal the end of preset coffee holding time.
- After Hours™ mode will automatically reduce water temperature when not in use, saving energy and increasing component life.
- Brew Cycle Timer alerts user when a brew is complete, and eliminates the risk of double brewing.
- A high level of commonality of parts with other Bloomfield models will significantly reduce the inventory of spare parts required to service.
- Exclusive design provides easy access to components for quick service.
- Water volume adjustments can be made with ease, no panels to remove or tools required.
- Electronic sensor monitors water temperature with extreme accuracy for more consistent product.
- Superior sprayhead design spreads water over the entire bed of grounds, creating agitation and a floating action that completely saturates the coffee to capture its full, rich essence.
- Unique water valve with built-in flow control and strainer assures consistent operation at supply water pressures from 20 - 90 psi.
- One-piece drawn stainless steel water tank has a superior design for extended life.
- Rugged base rails provide stability and strength, while minimizing brewer height, and provide positive location of the thermal server.
- High quality easy to clean stainless steel construction.

OPTIONS/ACCESSORIES

- Full line of airpots
- Thermal servers

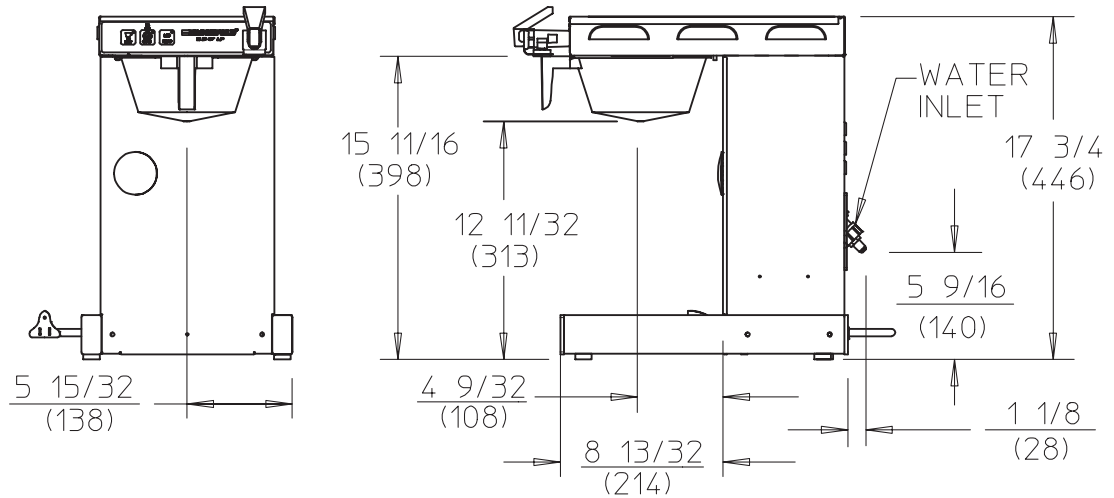
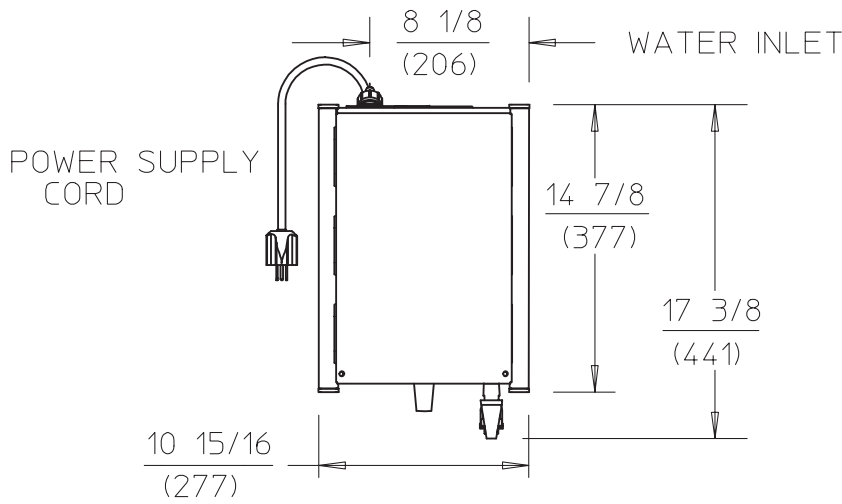
PRODUCT WARRANTY

Limited two year parts & one year labor



E.B.C Lo-Profile Airpot / Thermal Server Coffee Brewer (with Hot Water Faucet)

Model: □1883



Model Number	W x D x H Inches (MM)	Voltage	Watts	AMPS Single Phase	Phase	Power Supply Cord	Approx. Weight Installed LBS (KG)	Approx. Weight Shipping LBS (KG)
1883-120	10 x 19-1/2 x 29 (254 x 495 x 737) <i>height includes legs</i>	120V	1800	15	Single	NEMA 5-15P	N/A	N/A

Due to periodic changes in designs, methods, procedures, policies and regulations, the specifications contained in this sheet are subject to change without notice. While Wells exercises good faith efforts to provide information that is accurate, we are not responsible for errors or omissions in information provided or conclusions reached as a result of using the specifications. By using the information provided, the user assumes all risks in connection with such use.