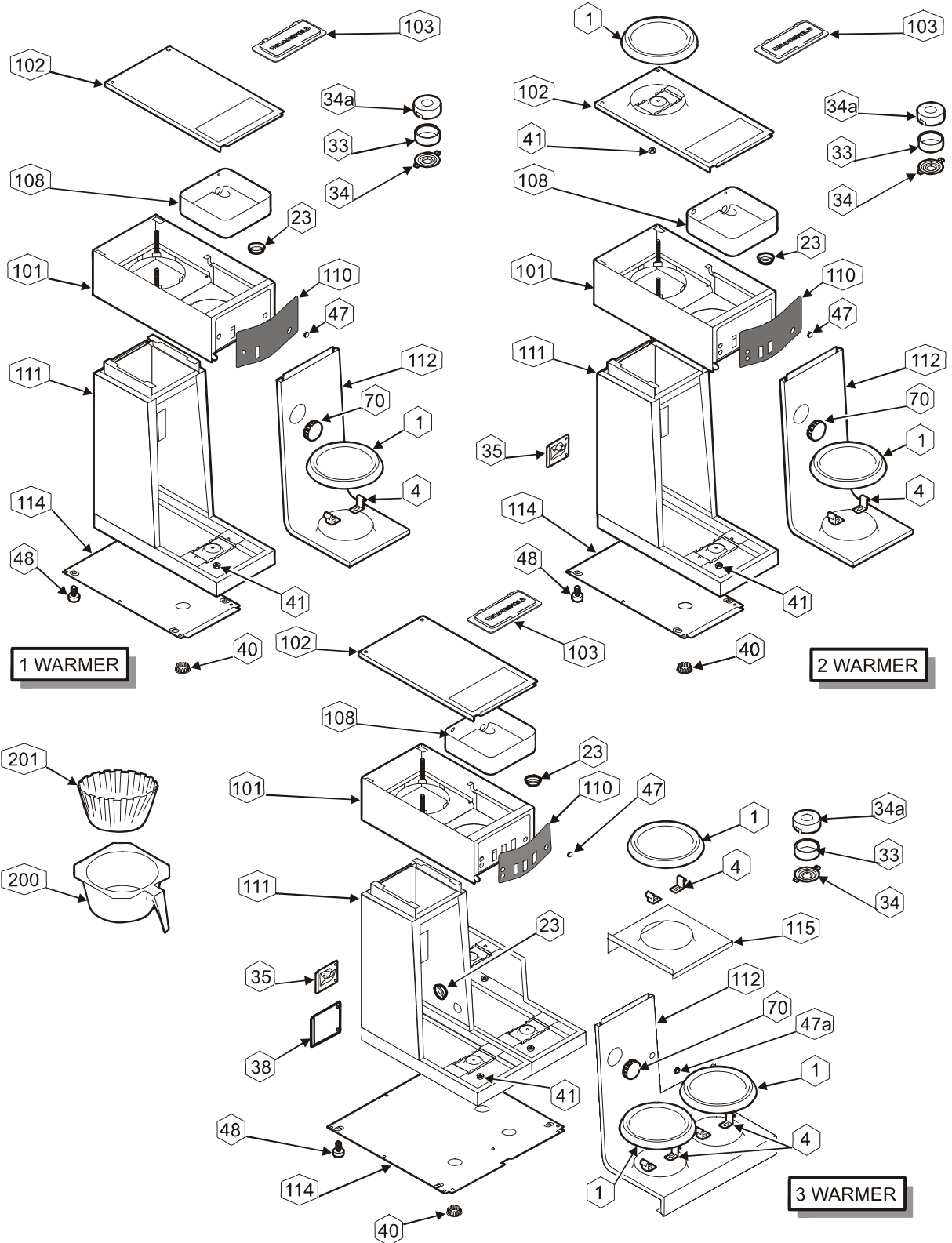


Koffee-King™ EXPLODED VIEW & PARTS LIST

CABINET & RELATED COMPONENTS



2M-75804-611 Koffee-King 8900 Series Brewer

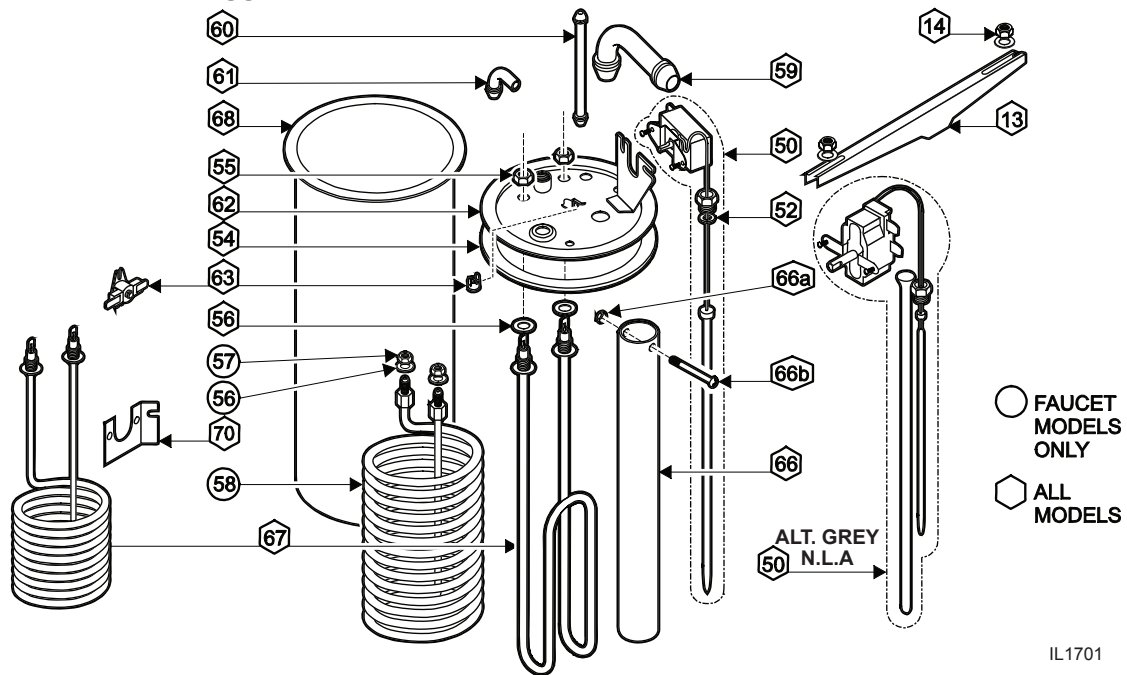
Koffee-King™ EXPLODED VIEW & PARTS LIST (continued)

ITEM	PART NO.	DESCRIPTION	USED ON
1	2D-70090	COVER PLATE, WARMER, BLACK, 1/4-28 STUD	ALL, MADE IN USA
	2D-Z15630	PLATE COVER WARMER, 1/4-20 STUD	ALL, MADE IN CHINA
4	2C-70098	CLIP, PANEL RETAINING	ALL
20	2C-70132	NUT, #8SMS, TINNERMAN (not shown)	ALL
23	2K-70229	BUSHING, HEYCO	ALL
33	2I-70139	GASKET, SPRAY HEAD	ALL
34	A6-72727	SPRAY DISK, EMBOSSED	ALL
34a	A6-70163	RETAINER, SPRAY HEAD (REQUIRES DRILL/RIVETS TO INSTALL)	ALL
35	2Q-75089	DOOR, SOLENOID ACCESS, PLASTIC	8540, -41, -72, -73, -74
38	D7-70735	DOOR, ELECTRIC ACCESS	8574
40	2P-70953	BUTTON PLUG, 1-1/8" DIA, METAL (WARMER PLATE RETAINER)	ALL (Canadian)
41	18-50	NUT, WARMER PLATE RETAINING, 1/4-28	ALL (Canadian)
47	2P-70272	BUTTON PLUG, 1/2" DIA, PLASTIC (NON FAUCET MODELS)	8541, -42, -43, -71, -73
47a	2P-70275	BUTTON PLUG, 3/8" DIA, METAL (HI-LIMIT RESET)	8574
48	2A-71732	ASSEMBLY, ADJUSTABLE LEG	ALL
70	2P-70053	BUTTON PLUG, 2" DIA, METAL (TIMER)	8540, -41, -71, -72, -73
101	A6-70231	ASSEMBLY, BASIN TOP	ALL
102	WS-8512-56	BASIN COVER W/WARMER MOUNT	8540, 8541, 8543
	WS-8542-6	BASIN COVER, W/O WARMER MOUNT	8542, -71, -72, -73, -74
103	2F-76666	ASSEMBLY, POUR-OVER PLASTIC	ALL
108	2D-70095	BASIN PAN (AUTOMATIC)	8540, -41, -72, -73, -74
	2D-70226	BASIN PAN (POUR-OVER)	8542, 8543, 8571
110	2M-71135	LABEL, CONTROL PANEL DECAL (IN-LINE POUR-OVER 1W)	8542
	2M-70252	LABEL, CONTROL PANEL DECAL (IN-LINE POUR-OVER 2W)	8543
	2M-70289	LABEL, CONTROL PANEL DECAL (IN-LINE AUTOMATIC 2W)	8540, 8541
	2M-70279	LABEL, CONTROL PANEL DECAL (STEP-UP AUTOMATIC 3W)	8572, 8573, 8574
	2M-70264	LABEL, CONTROL PANEL DECAL (STEP-UP POUR-OVER 3W)	8571
111	B7-70249	ASSEMBLY, BREWER BASE (IN-LINE POUR-OVER)	8542, 8543
	DD-8540-25	ASSEMBLY, BREWER BASE (IN-LINE AUTOMATIC)	8540, 8541
	67-70263	ASSEMBLY, BREWER BASE (STEP-UP POUR-OVER)	8571
	DD-8572-33	ASSEMBLY, BREWER BASE (STEP-UP AUTOMATIC)	8572, 8573
	NONE	ASSEMBLY, BREWER BASE (STEP-UP AUTOMATIC)	8574
112	A6-70288	PANEL, FRONT (IN-LINE AUTOMATIC)	8540, 8541
	A6-70227	PANEL, FRONT (IN-LINE POUR-OVER)	8542, 8543
	B7-70265	PANEL, FRONT (STEP-UP POUR-OVER)	8571
	A6-8572-10	PANEL, FRONT (STEP-UP AUTOMATIC)	8572, 8573, 8574
114	A6-70256	PLATE BOT 1-2 WRMR S/SAAY	8430, 8540, 8718, 8730, 8738, 8783
	A6-71550	PLATE BOT SUB ASSY AIRPOT	8773, 8774
	A6-70269	PLATE BOT 3-WRMR SUB ASSY	8571, 8572, 8573
115	A6-70267	PANEL, COVER W/WARMER MOUNT	8571, 8572, 8573, 8574
200	2D-70234	BREW CHAMBER, BLACK PLASTIC	ALL
	WS-8942-6	BREW CHAMBER, BROWN PLASTIC (OPTIONAL limited to stock on hand)	
	2D-70114	BREW CHAMBER, STAINLESS W/ WIRE BASKET (OPTIONAL)	
201	WS-POF	FILTER PAPER, COFFEE (CASE OF 1000)	ALL

2M-75804-611 Koffee-King 8900 Series Brewer

Koffee-King™ EXPLODED VIEW & PARTS LIST (continued)

HOT WATER TANK ASSEMBLY



IL1701

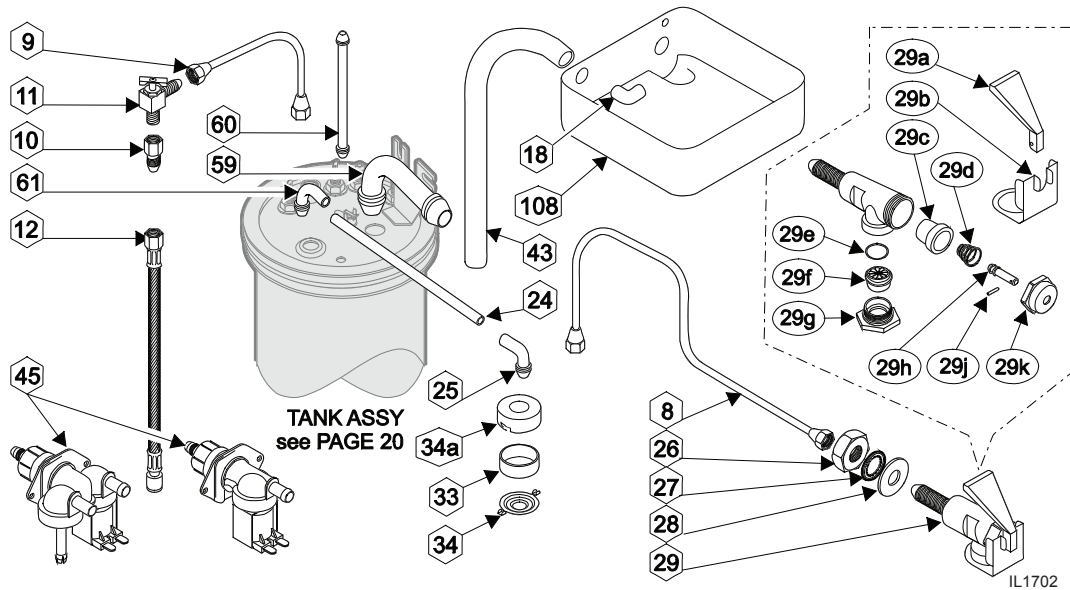
ITEM	PART NO.	DESCRIPTION	USED ON
13	2C-70134	HOLD-DOWN STRAP	ALL
14	2C-73457	NUT, HEX 8-32 KEPS	ALL
50	WS-8512-51	THERMOSTAT (BLACK BODY - INCL. SEAL & MOUNTING SCREWS)	ALL
	N.L.A	THERMO (ALT) (GRAY BODY - INCL. TUBE & MOUNTING SCREWS)	
52	2C-70174	SEAL WASHER, THERMO CAP TUBE (ONLY)	ALL
54	2I-70147	TANK COVER GASKET	ALL
55	2C-70175	NUT HEX 1/2-20 BRASS	ALL
56	2I-70152	SEAL GASKET, ELEMENT OR WATER COIL	ALL
57	2C-70151	NUT HEX 7/16-20 BRASS	8540, 8572, 8574
58	2N-70149	HOT WATER COIL	8540, 8572, 8574
59	2K-70101	TUBE, BASIN OUTLET/TANK INLET, SILICONE	ALL
60	2V-70102	TUBE, VENT, SILICONE	ALL
61	2K-70103	ELBOW, TANK OUTLET, SILICONE	ALL
62	A6-70221	TAN COVER, PLATE ONLY, 6 HOLES	8541, 8542, 8543, 8571, 8573
	A6-70142	TAN COVER, PLATE ONLY, 8 HOLES	8540, 8572, 8574
63	2T-47499	THERMOSTAT, HI-LIMIT	ALL, except 8574
	2T-70716	THERMOSTAT, HI-LIMIT RESET	8574
66	2V-70144	WATER INLET TUBE	ALL
66a	2C-70146	NUT, HEX 4-40 SS	ALL
66b	2C-70145	SCREW 4-40 x 1 PAN HEAD	ALL
67	2N-70167UL	HEATING ELEMENT (120V, 1200W)	ALL Canadian
	2N-70143UL	HEATING ELEMENT (120V, 1500W)	ALL, exc. Canadian & 8574
	2N-70715UL	HEATING ELEMENT (240V, 3500W)	8574
	2N-70173UL	HEATING ELEMENT (240V, 1800W)	UK & EU, 230V UNITS
68	2D-70110	TANK BODY	ALL
70	A6-70625	BRACKET, HI LIMIT THERMOSTAT	8574

TANK COVER ASSEMBLY

WS-8541WF-300	INCLUDES: MOUNTED THERMO, HI-LIMIT, 120V 1500W HEATING ELEMENT & HOT WATER COIL)
WS-8543-300	INCLUDES: MOUNTED THERMO, HI-LIMIT, 120V 1500W HEATING ELEMENT. NO HOT WATER COIL)

Koffee-King™ EXPLODED VIEW & PARTS LIST (continued)

INTERNAL PLUMBING COMPONENTS



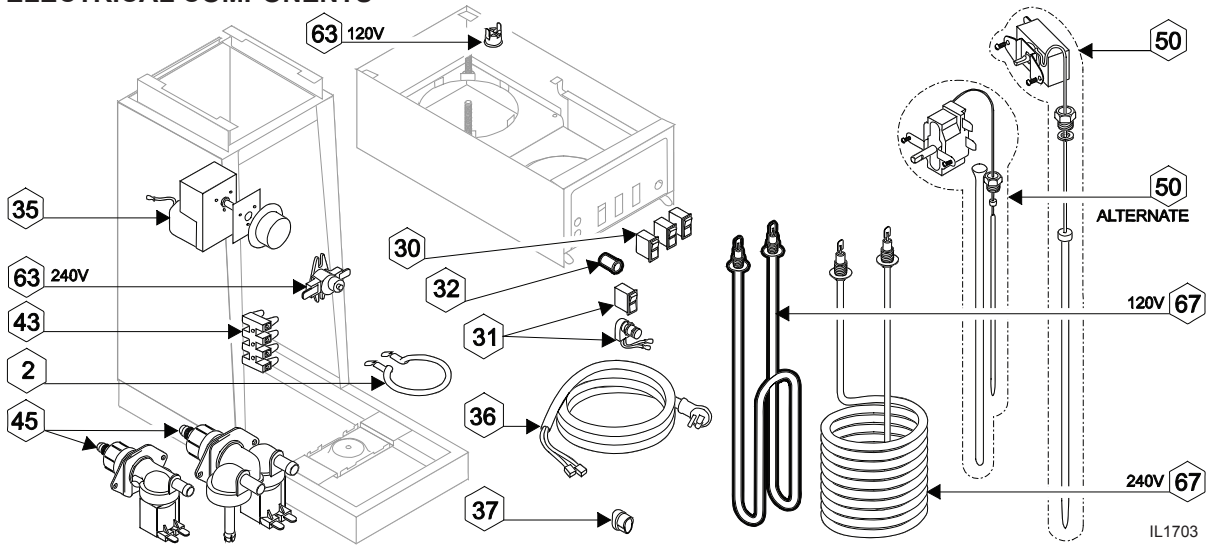
IL1702

ITEM	PART NO.	DESCRIPTION	USED ON
8	2V-70104	FORMED TUBE, FAUCET OUTLET ASSEMBLY 10-7/8" LONG	8540, 8572, 8574
9	2V-70111	FORMED TUBE, FAUCET COIL INLET ASSEMBLY	8540, 8572, 8574
10	2E-70451	ADAPTER, 1/4" MALE FLARE x 1/8" FPT BRASS	8540, 8572, 8574
11	2V-70352	VALVE, FAUCET SHUT OFF, NEEDLE SEAT	8540, 8572, 8574
12	2J-75681	BRAIDED TUBE, FAUCET INLET 6MM x 299MM (11-3/4") LONG	8540, 8572, 8574
18	2K-70096	ELBOW, BASIN INLET DIVERTER POLYPROPYLENE	8540, -41, -72, -73, -74
24	2V-70131	TUBE, BREW OUTLET, METAL 4-3/4" LONG	ALL
25	2K-70130	ELBOW, SPRAYER, SILICONE	ALL
26	2C-72680	LOCK NUT, HEX 7-16-20	8540, 8572, 8574
27	2C-70107	LOCK WASHER 7/16" EXT SEMS (FAUCET)	8540, 8572, 8574
28	2C-72681	WASHER, FLAT 15/32" x 1-1/8" x 1/16" SS	8540, 8572, 8574
29	WS-82556	FAUCET ASSEMBLY, PRESSURE	8540, 8572, 8574
33	2I-70139	GASKET, SPRAY HEAD	ALL
34	A6-72727	SPRAY DISK, EMBOSSED	ALL
34a	A6-70163	RETAINER, SPRAY HEAD (REQUIRES DRILL/RIVETS TO INSTALL)	ALL
43	A6-70276	TUBE, BASIN INLET, SILICONE 13"	8540, -41, -72, -73, -74
45	2E-73612	SOLENOID, SINGLE, 120V, .75 GPM	8541, 8573
	2E-75685	SOLENOID W/BYPASS, 120V, .75 GPM	8540, 8572, 8574
	2E-75760	SOLENOID SINGLE 220/240V	UK & EU 230V UNITS
	2V-70124	VALVE SOLENOID 120V	8576
59	2K-70101	TUBE, BASIN OUTLET/TANK INLET, SILICONE	ALL
60	2V-70102	TUBE, VENT, SILICONE	ALL
61	2K-70103	ELBOW, TANK OUTLET, SILICONE	ALL
108	2D-70095	BASIN PAN (AUTOMATIC)	8540, -41, -72, -73, -74
	2D-70226	BASIN PAN (POUR-OVER)	8542, 8543, 8571

FAUCET REPAIR KITS	
WS-82573	HANDLE, FAUCET RED (29a)
WS-82575	SEAT CUP (29c)
WS-82576	FAUCET REPAIR KIT, INCL: HANDLE (29a), SEAT CUP (29c), SPRING (29d), STEM (29h), PIN (29j) & BONNET (29k)
WS-82682	RETAINER CLIP (29b)
WS-84804	AERATOR REPLACEMENT, INCL: O-RING (29e), DISK (29f) & CAP (29g)
WS-84870	AERATOR REPAIR KIT, INCL: O-RING (29e) & DISK (29f)

Koffee-King™ EXPLODED VIEW & PARTS LIST (continued)

ELECTRICAL COMPONENTS



ITEM	PART NO.	DESCRIPTION	USED ON
2	2N-70091UL	HEATING ELEMENT, WARMER 120V 100W	ALL
	2N-70635UL	ELEM WMR, 100W @240/85W @220	UK & EU 230V UNITS
30	2E-72946	SWITCH, WARMER ON/OFF 120V	ALL
	2E-70247	SWITCH ON OFF LTD BLACK	UK & EU 230V UNITS
31	2E-70137	SWITCH, MOMENTARY PUSH-BUTTON, BREW	8572, 8573, 8574
	2E-70733	SWITCH, MOMENTARY ROCKER, BREW	8540, 8541
32	2J-72671	INDICATOR, 120V, READY-TO-BREW	ALL
	2J-70644	LIGHT PILOT GREEN 250V	UK & EU 230V UNITS
35	2P-70128	TIMER, 2-MINUTE (WITH DIAL & KNOB) 120V	8540, -41, -72, -73, 74
	2P-70054RO	TIMER W/KNOB 2-MIN 240V	UK & EU 230V UNITS
36	2E-70353	POWER CORD ASSEMBLY, 120V NEMA 5-15P	ALL (exc. 8574)
	A6-WL0139	CORD & UK PLUG ASSY. TERM	UK 230V UNITS
	A6-71156	CORD CAP ASSY EURO	EU 230V UNITS
37	2K-70215	STRAIN RELIEF	ALL (exc. 8574)
	2kK-70648	STRAIN RELIEF SMALL	UK & EU 230V UNITS
43	2E-70709	TERMINAL BLOCK, 4P	8574
45	2E-73612	SOLENOID, SINGLE, 120V, .75 GPM	8541, 8573
	2E-75760	SOLENOID SINGLE, 220/240V	UK & EU 230V UNITS
	2E-75685	SOLENOID W/BYPASS, 120V, .75 GPM	8540, 8572, 8574
	2E-74570	SOLENOID W/BYPASS, 240V, 75GPM	UK & EU 230V UNITS
50	WS-8512-51	THERMOSTAT (BLACK BODY - INCL. SEAL & MOUNTING SCREWS)	ALL
63	2T-47499	THERMO, HI-LIMIT	ALL (exc. 8574)
	2T-70716	THERMO, HI-LIMIT, RESET	8574
67	2N-70167UL	HEATING ELEMENT (120V, 1200W)	ALL Canadian
	2N-70143UL	HEATING ELEMENT (120V, 1500W)	ALL, exc. Canadian & 8574
	2N-70715UL	HEATING ELEMENT (240V, 3500W)	8574
	2N-70173UL	HEATING ELEMENT (240V, 1800W)	UK & EU 230V UNITS

SOLENOID REPAIR KITS		
WS-85218	INLET FITTING KIT INCLUDES: CAP (45a), FITTING (45b),	GASKET
	(45c) & STRAINER (45d)	
WS-85219	INLET STRAINER (45d ONLY)	

